

## LVM-243W(3G)

The most comprehensive  
24" 1080 native HD LCD display



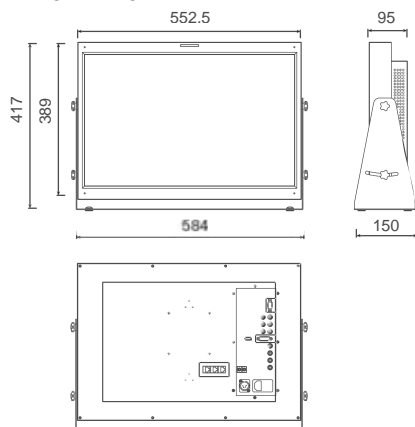
The LVM-243W is a 24" native 1080 display with Multi-format inputs including 3G/Dual-link HD-SDI, traceable color temperature, and broadcast monitor feature-sets including closed caption decoding, built-in Waveform and Vector displays, audio demuxing, on-screen audio level meters, and nine scan modes.

### Product Highlight

- 1920x1080 Native HD Resolution
- 800:1 Contrast Ratio
- 2 x HD/SD SDI inputs
- 2 x HD/SD through-out
- 1 x DVI-I input, 1 x HDMI input (W/HDCP)
- Analog Component/Composite/S-Video/RGB Inputs
- 1:1 pixel mapping modes for SD/HD
- Audio Disembedder & Speakers
- Optional 19" Rack Mount Kit available (also VESA compatible)
- Supports TVLogic Color Calibration Utility for proper color alignment
- 3G/Dual-Link 4:4:4 and 1080p60 support
- Matte Finish Panel or Optional ND filter
- Waveform • Vector Scope
- Timecode Display • UMD
- Closed Caption : CEA-608/708
- Embedded Audio Level Meter (16 ch)
- Highlight Focus Assist Function
- PBP Support

### Main Body Dimensions (mm/inch)

- 552.5 x 389 x 95 (21.8 x 15.3 x 3.7)
- 584 x 417 x 150 (23 x 16.4 x 5.9) with stand
- Weight : 11Kg / 24.2 lb



### Specifications

|                             |   |  |  |
|-----------------------------|---|--|--|
| Input                       | 1 x DVI-I   | DVI IN / VGA IN  |  |
|                             | 1 x HDMI  | HDMI IN  |  |
|                             | 3 x BNC   | Analog Input   |  |
|                             | 2 x BNC   | SDI 2 Channel Input  |  |
| Output                      | 3 x BNC   | Analog Loop Through Output   |  |
|                             | 2 x BNC   | SDI A/B Channel Output   |  |
| Input Signal                | Analog  | Composite / S-Video / Component / RGB  |  |
|                             | 3G-SDI  | 2.970Gb/s  |  |
|                             | HD-SDI  | 1.485Gbps  |  |
|                             | SD-SDI  | 270Mbps  |  |
|                             | HDMI  | 720p / 1080i & VESA / IBM Modes  |  |
|                             | DVI-Analog  | 640x480/800x600/1024x768/1280x768/1280x1024/720x400  |  |
|                             | DVI-Digital (Graphic)   | 640x480/800x600/1024x768/1280x768/1280x1024/720x400/1600x1200/1920x1200/1920x1080              |  |
| DVI-Digital (Video)         | 1080p (60/59.94/50)/1080i (60/59.94/50)/720p (60/59.94/50)/480i (59.94/480p (59.94/576i (50   |  |  |
| Analog Input Spec           | Composite   | 1.0Vpp (With Sync)   |  |
|                             | S-Video   | 1.0Vpp (Y With Sync), 0.286 Vpp (C)  |  |
|                             | Component   | 1.0Vpp (Y With Sync), 0.7 Vpp (Pb,Pr)  |  |
|                             | RGB   | 1.0Vpp (G With Sync), 0.7 Vpp (B,R)  |  |
| SDI Input Signal Formats    | SMPT-425M-A/B   | 1080p (60/59.94/50/30/29.97/25/24/23.98/30sF/29.97sF/25sF/24sF/23.98sF)<br>1080i (60/59.94/50) |  |
|                             |   | 1080i (60 / 59.94 / 50)  |  |
|                             | SMPT-274M   | 1080p (30 / 29.97 / 25 / 24 / 24sF / 23.98 / 23.98sF)  |  |
|                             | SMPT-296M   | 720p (60 / 59.94 / 50)   |  |
|                             | SMPT-372M**   | Dual HD-SDI YPbPr (4:2:2)  | 1080p (60 / 59.94 / 50)  |
|                             |   | Dual HD-SDI YPbPr/RGB (4:4:4)  | 1080i (60 / 59.94 / 50)<br>1080p (30 / 29.97 / 25 / 24 / 24sF / 23.98 / 23.98sF) |
|                             | SMPT-260M   | 1035i (60 / 59.94)   |  |
|                             | SMPT-125M   | 480i (59.94)   |  |
|                             | ITU-R BT.656  | 576i (50)  |  |
| 2K Format                   | 2048 x 1080p (24/24sF/23.98/23.98sF)  |  |  |
| Audio IN                    | Embedded Audio / Analog stereo (Phone Jack)   |  |  |
| Audio OUT                   | Analog stereo (Phone Jack) / Internal Speaker (Stereo)  |  |  |
| LCD                         | Size  | 24"  |  |
|                             | Resolution  | 1920x1200 (16:10)  |  |
|                             | Dot Pitch   | 0.27 mm  |  |
|                             | Color   | 16.7M(true), 24bit   |  |
|                             | Viewing Angle (Typical)   | H : 178 degrees<br>V : 178 degrees   |  |
|                             | Luminance of White  | 400cd (center)   |  |
|                             | Contrast  | 1000:1   |  |
| Display Area                | 518x324 mm  |  |  |
| Power                       | AC 100 - 240V / DC 24V  |  |  |
| Power Consumption (Approx.) | 112 Watts   |  |  |
| Operating Temperature       | 0 °C to 35 °C (32 °F to 95 °F)  |  |  |
| Storage Temperature         | -20 °C to +60 °C (-4 °F to 140 °F)  |  |  |
| Accessory                   | AC Power Cord / NDF Screw   |  |  |
| Option                      | Carrying Case / 19" Rack Mountable Kit / Dual Link / ND Filter<br>SMPT-372M mode is an option |  |  |

\* Specifications may be changed without notice.